



L-R®

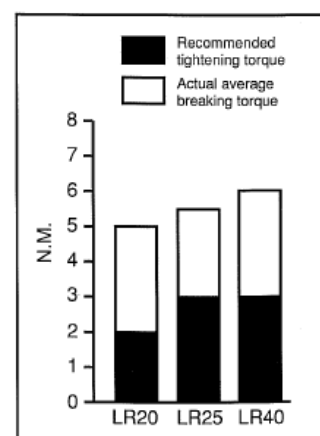
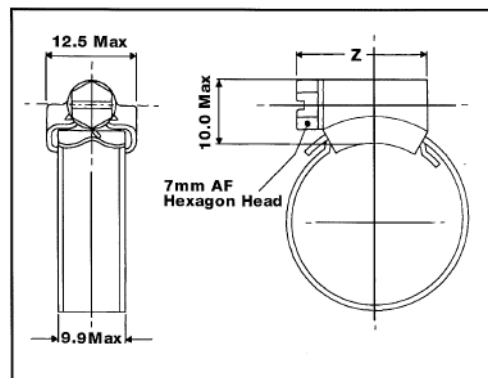
Lightweight Range Hose Clips to DIN 3017



The L-R clip has been designed for low torque applications. It is manufactured to meet and exceeds DIN 3017. The L-R clip has been developed over several years and meets the high standard of quality and performance required of all Jubilee products.

The benefits of weight saving and extra corrosion resistance allow this addition to the full range of Jubilee clips to offer the customer a greater flexibility in meeting their own requirements.

Size	Recommended Working Range (mm)	"Z" Length Maximum (mm)	Band Thickness (mm)	Band Width (mm)	Recommended Tightening Torque N.M.	Kg/cm.
LR12	8- 12	21	0.76	9.9	2	20.4
LR16	10- 16	21	0.76	9.9	2	20.4
LR20	12- 20	21	0.76	9.9	2	20.4
LR22	14- 22	24	0.76	9.9	3	30.6
LR25	16- 25	24	0.76	9.9	3	30.6
LR30	22- 30	24	0.76	9.9	3	30.6
LR32	20- 32	24	0.76	9.9	3	30.6
LR35	25- 35	28	0.76	9.9	3	30.6
LR40	30- 40	28	0.76	9.9	3	30.6
LR45	35- 45	28	0.76	9.9	3	30.6
LR50	35- 50	28	0.76	9.9	3	30.6
LR55	40- 55	33	0.76	9.9	3	30.6
LR60	45- 60	33	0.76	9.9	3	30.6
LR70	55- 70	33	0.76	9.9	3	30.6
LR80	60- 80	33	0.76	9.9	3	30.6
LR90	70- 90	33	0.76	9.9	3	30.6
LR100	80-100	33	0.76	9.9	3	30.6
LR110	90-110	33	0.76	9.9	3	30.6
LR120	100-120	33	0.76	9.9	3	30.6
LR130	110-130	33	0.76	9.9	3	30.6
LR140	120-140	33	0.76	9.9	3	30.6
LR150	130-150	33	0.76	9.9	3	30.6
LR160	140-160	33	0.76	9.9	3	30.6



MATERIAL SPECIFICATION		
	Mild Steel	Stainless Steel
Band	BS1449	304 A2
Housing	BS1449	304 A2
Screw	BS970	304 A2
Plating	BS1706 ZN3	304 A2



L-R Clip Dispenser available in both mild steel and stainless steel. Ask for details.

Jubilee L-R® is a registered trade mark of L Robinson & Co (Gillingham) Ltd.



L-R® HOSE CLIPS AVAILABLE FROM:-

L Robinson & Co. (Gillingham) Ltd., Owens Way, Gads Hill, Gillingham, Kent, ME7 2RS, England.

Tel: +44 (0) 1634 281200 Fax: +44 (0) 1634 280101 Email: sales@jubileeclips.co.uk Website: www.jubileeclips.co.uk