



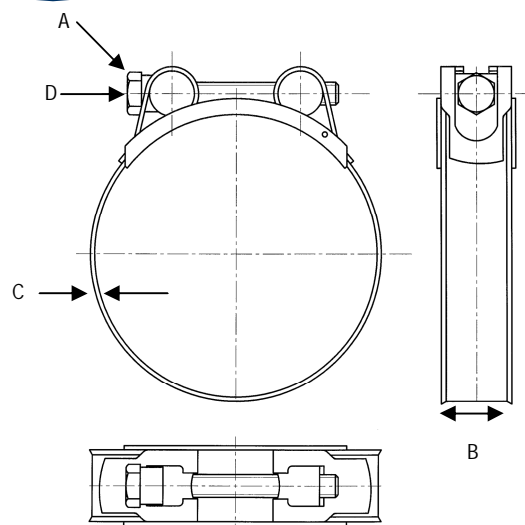
Superclamps

Heavy Duty Bolt Clamps for use on heavy duty hoses



Used for demanding applications, the Jubilee Superclamp is easily adjusted by a single nut and bolt.

Available in mild steel zinc plated and also in 316 (A4) stainless steel.



Mild steel zinc plated product specification:-

Part No.	Min-Max Dia. mm	Screw DIN 933 [A]	Band Width mm [B]	Band Thickness mm [C]	Tightening Torque Nm	Screw Head A/F mm [D]	Qty. Per Box	Weight Per Box Kgs
JSC019	17-19						100	2.8
JSC022	20-22						100	2.9
JSC025	23-25	M5	18	0.6	6	8	100	3.1
JSC028	26-28						100	3.2
JSC031	29-31						100	3.3
JSC035	32-35						100	7.3
JSC039	36-39						90	6.7
JSC043	40-43						75	5.7
JSC047	44-47						75	5.8
JSC051	48-51	M6	20	1	8	10	70	6.0
JSC055	52-55						60	5.0
JSC059	56-59						50	4.4
JSC063	60-63						40	3.6
JSC067	64-67						60	11.8
JSC073	68-73						52	10.9
JSC079	74-79						48	10.7
JSC085	80-85						44	9.1
JSC091	86-91						36	7.2
JSC097	92-97						32	7.3
JSC103	98-103						24	5.6
JSC112	104-112						24	5.9
JSC121	113-121						20	5.0
JSC130	122-130						16	4.3
JSC139	131-139						16	4.4
JSC148	140-148						12	3.8
JSC161	149-161						8	2.5
JSC174	162-174						42	14.2
JSC187	175-187						28	10.2
JSC200	188-200						28	10.2
JSC213	201-213						28	10.5
JSC226	214-226						14	6.0
JSC239	227-239						14	6.0
JSC252	240-252						14	6.3
JSC265	253-265						14	6.3

Jubilee® is a registered trade mark of L Robinson & Co (Gillingham) Limited.

Available from:-



SUPERCLAMPS AVAILABLE FROM:-

L Robinson & Co. (Gillingham) Ltd., Owens Way, Gads Hill, Gillingham, Kent, ME7 2RS, England.

Tel: +44 (0) 1634 281200 Fax: +44 (0) 1634 280101 Email: sales@jubileeclips.co.uk Website: www.jubileeclips.co.uk