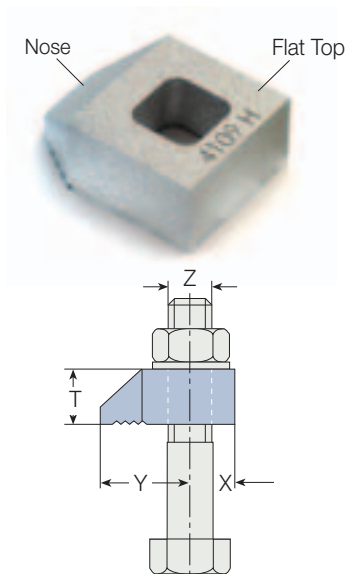


Type BSNT

Malleable iron, bright zinc plated / hot dip galvanised



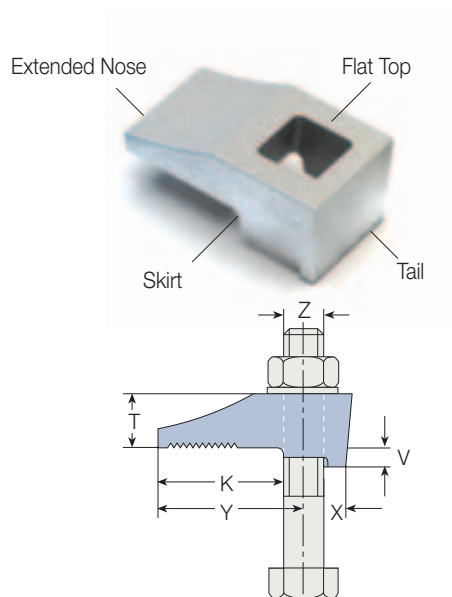
Special clamp for installation of beams flange to flange. The location plate is substituted by a connecting frame made of steel flats equalling the flange thicknesses in height. The clamps are welded to this frame.

Product Code	Bolt 8.8 Z	Safe Working Loads (5:1 Factor of Safety)			Dimensions			
		Tensile / 1 Bolt kN	Torque Nm	Y mm	X mm	T mm	Width mm	
BSNT12	M12	5.8	69	26	13	16	29	
BSNT16	M16	7.3	147	30	16	20	35	
BSNT20	M20	14.7	285	36	19	24	42	
BSNT24	M24	19.7	491	48	25	32	54	

Order example: BSNT12 HDG

Type BSLN

Malleable iron, bright zinc plated / hot dip galvanised



Special clamp designed with longer nose to extend the contact area with the steel section. For parallel flanges only. Can be used with types CW, P1 short, P2 short.

Product Code	Bolt 8.8 Z	Safe Working Load (5:1 Factor of Safety)			Dimensions				
		Tensile / 1 Bolt kN	Torque Nm	Y mm	X mm	Tail Length V mm	T mm	Width mm	
BSLN12	M12	5.8	69	45.5	15.5	6	17	28	
BSLN16	M16	7.3	147	44	17	11	16	32	

Order example: BSLN12 HDG