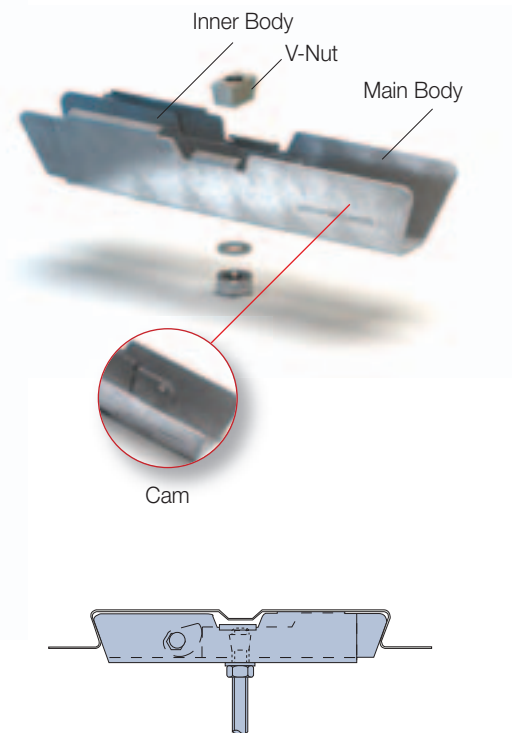


Type SD2 - Slimdek 2

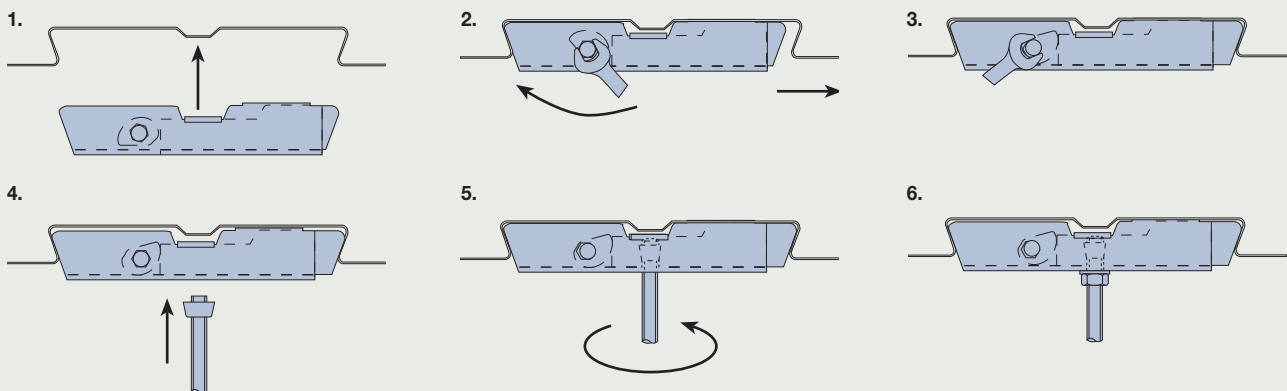
Pre-galvanised strip



The Slimdek 2 is designed for the CF225 profile manufactured by Corus Panels and Profiles. It gives a fully flexible suspension position (see page 52).

Product Code	Rod	Safe Working Load (3:1 Factor of Safety)	
		Tensile / 1 Rod kN	Torque Nm
SD206	M6	1.0	12
SD208	M8	1.0	12
SD210	M10	1.0	12

Order example: SD206

Installation

1. With Slimdek 2 in its retracted position (as supplied) locate the fixing in the re-entrant channel.
2. Hold Slimdek 2 in position with one hand, then rotate cam into the direction shown above with a spanner.
3. Rotate the nut until the inner body of the fixing locates against the re-entrant channel, and the nut feels tight.
4. Offer the V-Nut on a threaded rod up to the main body.
5. Rotate V-Nut through 90° to allow it to sit at the bottom of the Slimdek 2 body.
6. Secure the assembly with a nut.