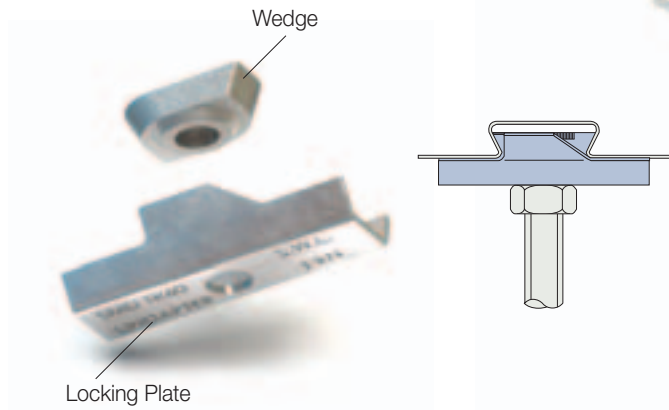


Type TR60

Locking Plate: Pre-galvanised strip
Wedge: Malleable iron, bright zinc plated

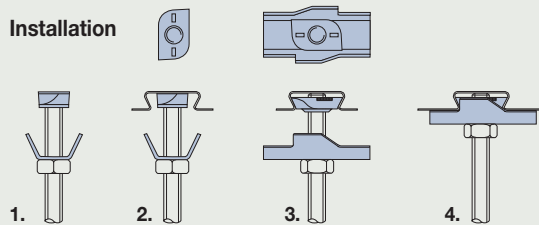


The TR60 is designed for TR60 and 80 profiles manufactured by Structural Metal Decks (see page 52).

Product Code	Rod	Safe Working Load (3:1 Factor of Safety)	
		Tensile / 1 Rod kN	Torque Nm
TR6006	M6	1.0	10
TR6008	M8	1.0	10
TR6010	M10	1.0	10

Order example: TR6006

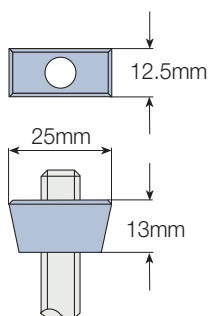
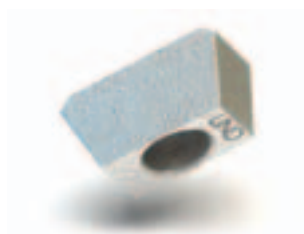
Installation



1. Pre-assemble the wedge and locking plate onto the threaded rod (flat surface uppermost).
2. Insert wedge into the re-entrant channel of the decking and rotate until the chamfered cams engage on the sides of the channel.
3. Slide the plate up the threaded rod and over the wedge to lock it into position in the channel.
4. Tighten the locknut beneath the plate to hold the assembly in position.

Type VN - V-Nut

Malleable iron, mild steel, bright zinc plated

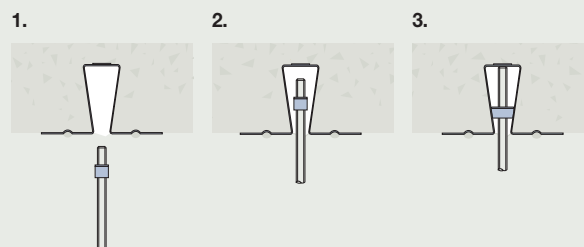


The V-Nut fits the re-entrant channel of several composite floor deckings (see page 52).

Product Code	Rod	Safe Working Load (4:1 Factor of Safety)	
		Tensile / 1 Rod kN	Torque Nm
VN06	M6	1.8	10
VN08	M8	2.0	10
VN10	M10	2.1	10

Order example: VN06

Installation



1. Screw VN onto threaded rod.
2. Insert VN and rod into re-entrant channel of decking.
3. Rotate both rod and VN through 90° so that tapered sides engage the sides of the channel.