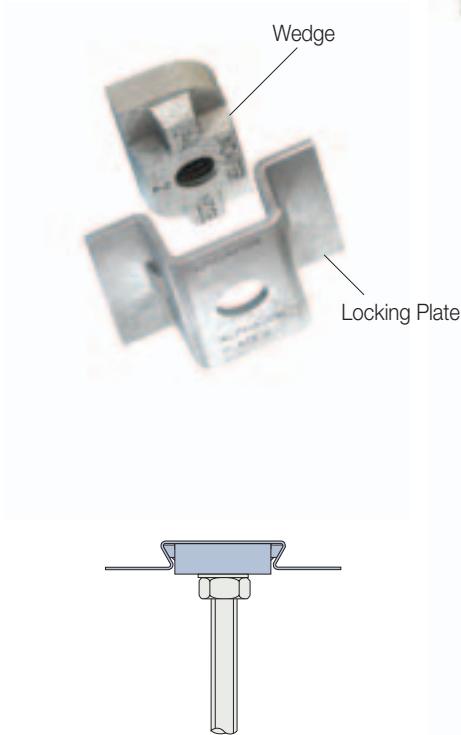


**Type AW - Alphawedge**

Locking Plate: Pre-galvanised strip

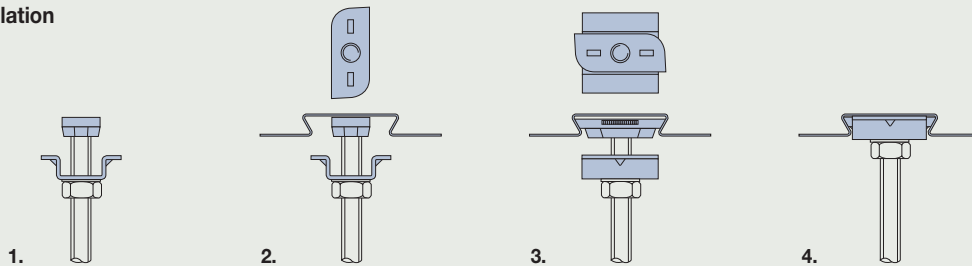
Wedge: Malleable iron, bright zinc plated



The Alphawedge is designed for Ribdeck AL, E60 and 80 profiles manufactured by Richard Lees Steel Decking (see page 52).

Product Code	Rod 4.6	Safe Working Load (3:1 Factor of Safety)	
		Tensile / 1 Rod kN	Torque Nm
AW06	M6	1.0	10
AW08	M8	1.0	10
AW10	M10	1.0	10

■ Order example: AW06

**Installation**

1. Pre-assemble the Alphawedge and Locking Plate onto the threaded rod (flat surface uppermost).
2. Insert wedge into the re-entrant channel of the decking, rotate 90°.
3. Slide plate up the threaded rod, over the wedge, to lock it in position into the channel.
4. Tighten the locknut beneath the plate to hold the assembly in position.